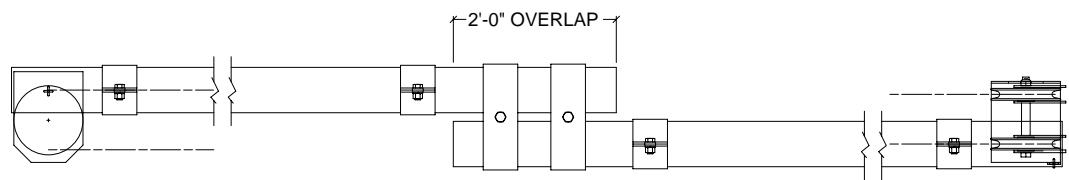
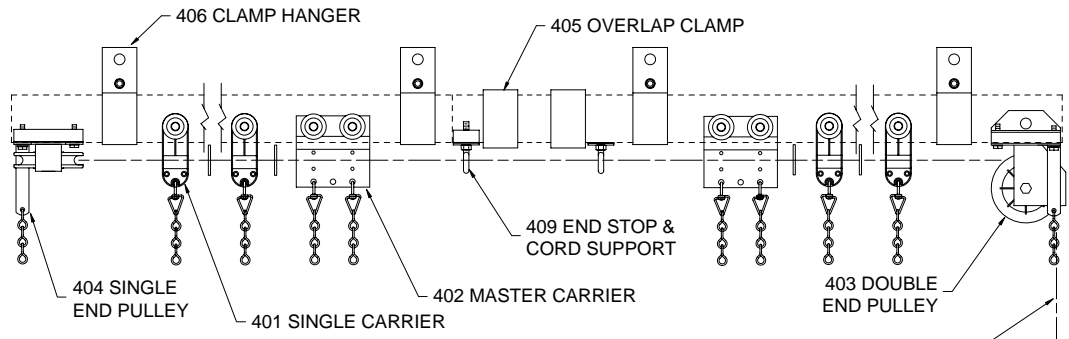


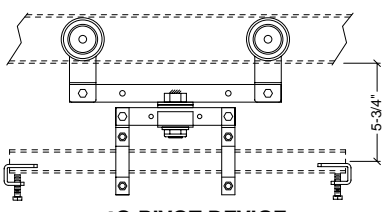
# 401S TRACK



**PLAN - MODEL 401S COMPLETE TRACK**



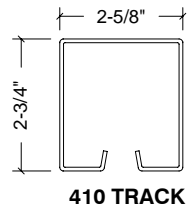
**ELEVATION - MODEL 401S COMPLETE TRACK**



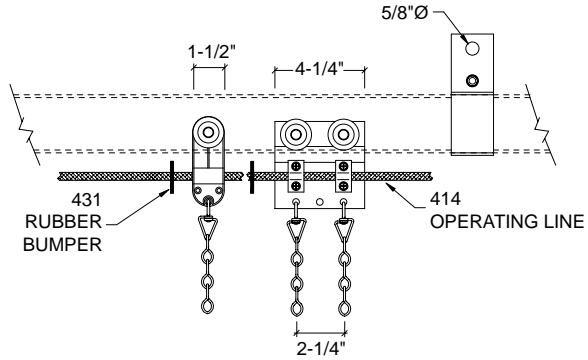
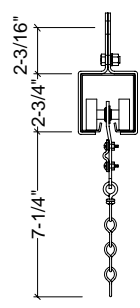
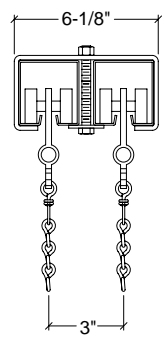
**40 PIVOT DEVICE**

414 OPERATING LINE

408 BLACK ADJUSTABLE FLOOR BLOCK

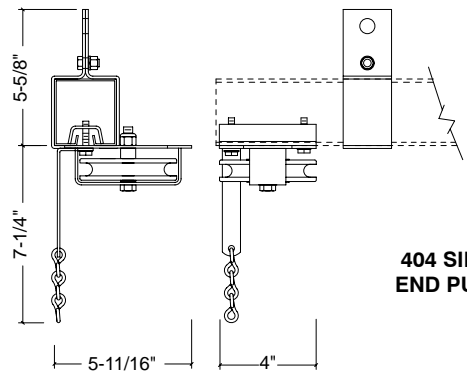


**410 TRACK**

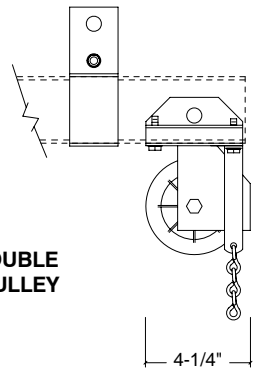


**TRACKS AT CENTER OVERLAP**

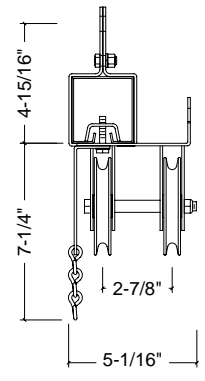
**401 SINGLE CARRIER AND 402 MASTER CARRIER**



**404 SINGLE END PULLEY**

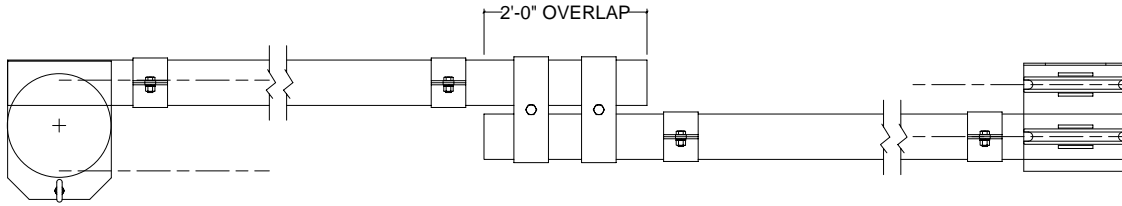


**403 DOUBLE END PULLEY**

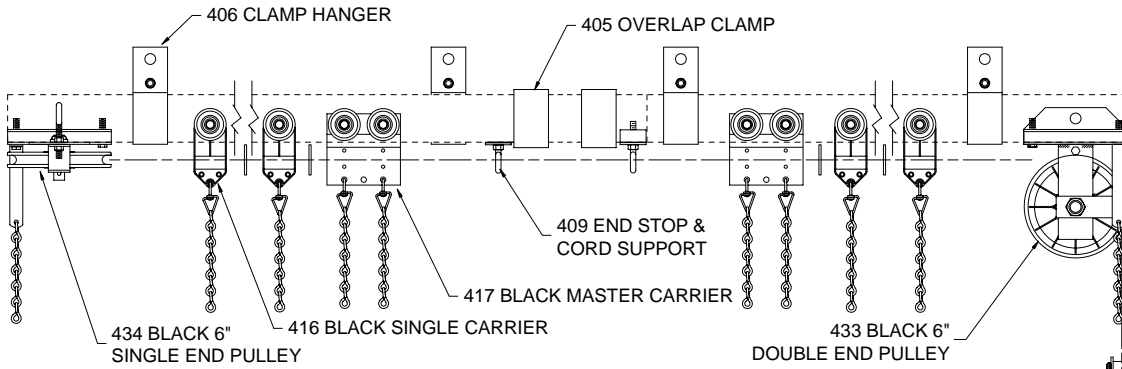




# 416S TRACK

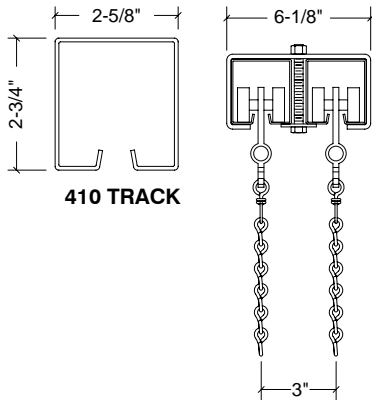
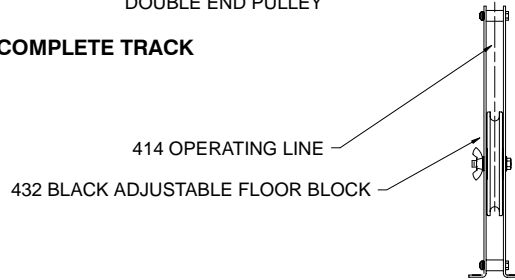


PLAN - MODEL 416S COMPLETE TRACK

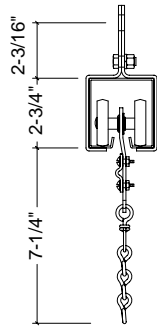


ELEVATION - MODEL 416S COMPLETE TRACK

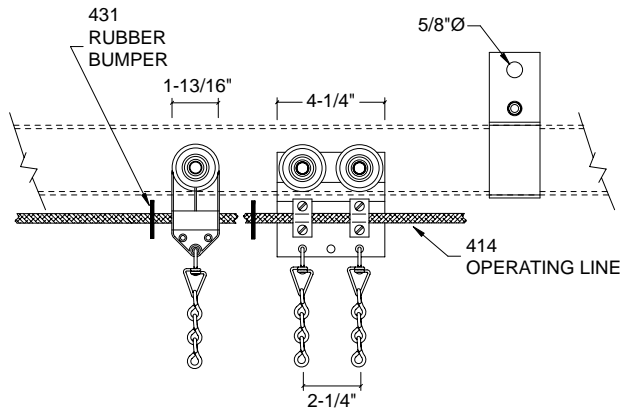
NOTE: 418S dimensions similar.



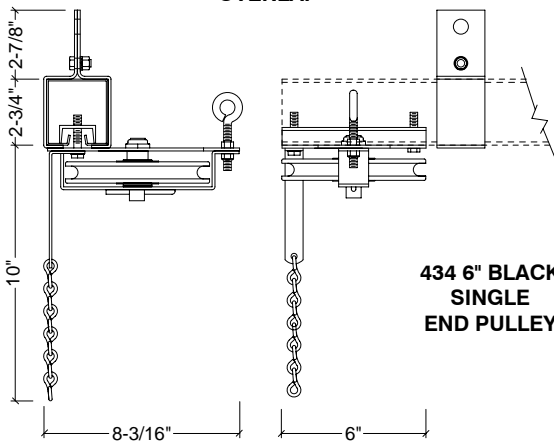
410 TRACK



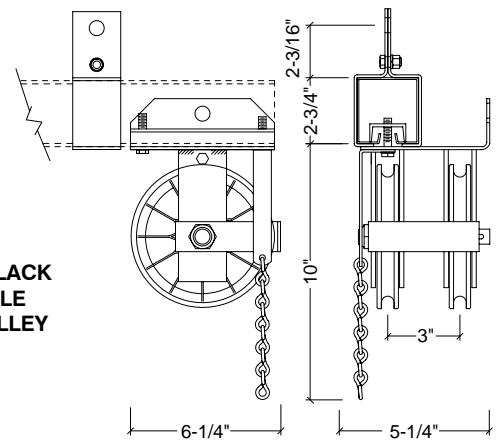
416 BLACK SINGLE CARRIER AND 417 BLACK MASTER CARRIER



TRACKS AT CENTER OVERLAP

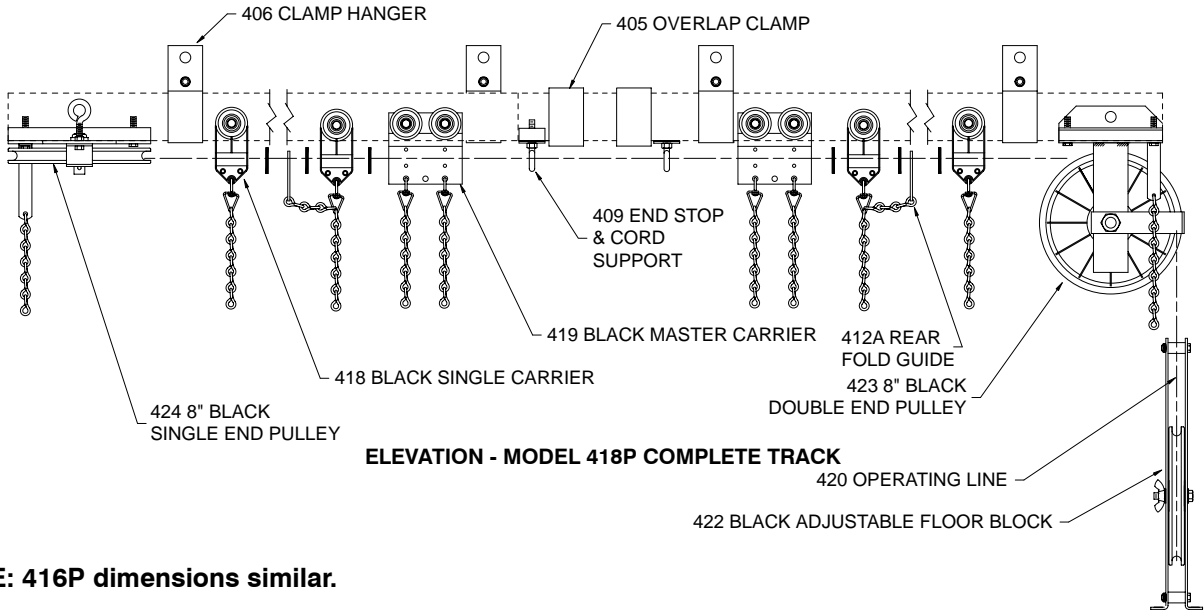
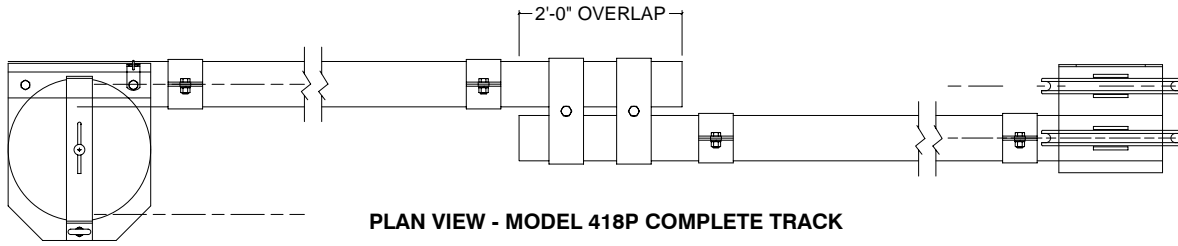


434 6" BLACK SINGLE END PULLEY

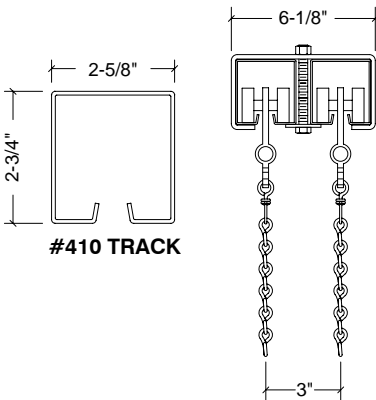


433 6" BLACK DOUBLE END PULLEY

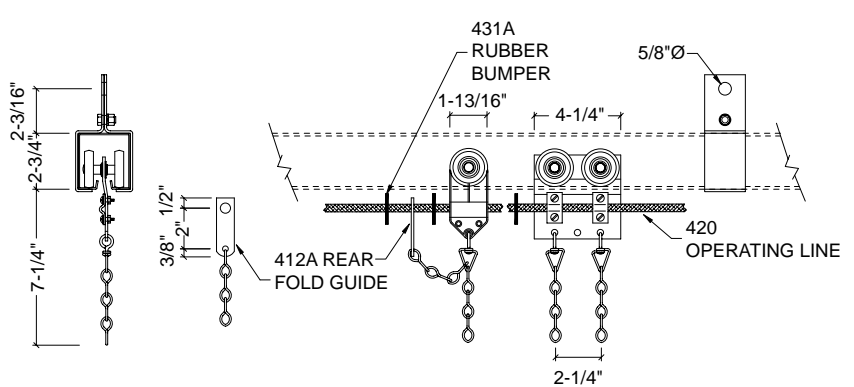
# 418P TRACK



**NOTE: 416P dimensions similar.**



**TRACKS AT CENTER OVERLAP**



**418 BLACK SINGLE CARRIER AND 419 BLACK MASTER CARRIER**

