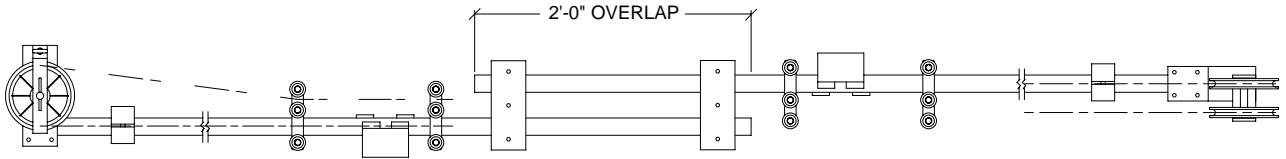
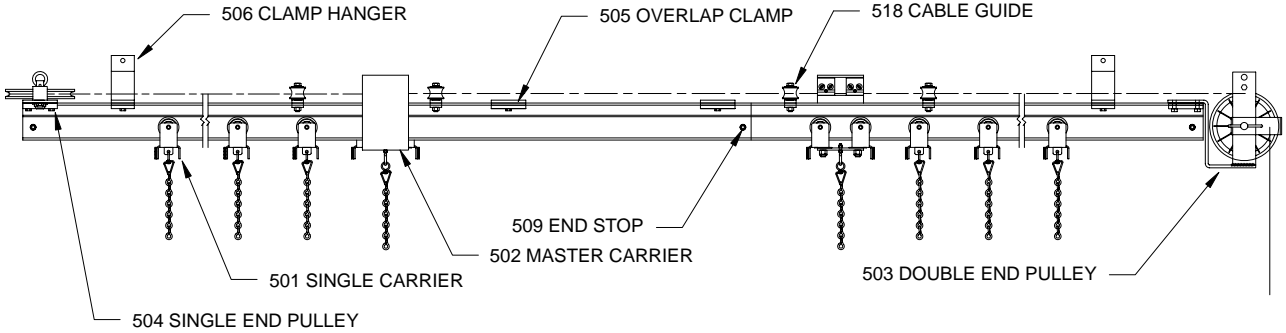




# 501 TRACK

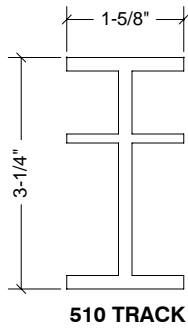


PLAN - MODEL 501 COMPLETE TRACK

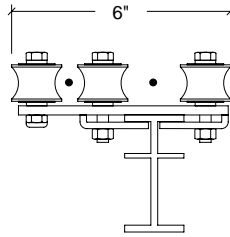


ELEVATION - MODEL 501 COMPLETE TRACK

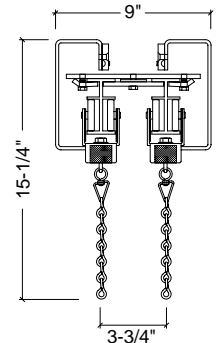
**NOTE: 516 dimensions similar.**



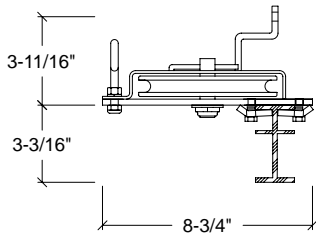
510 TRACK



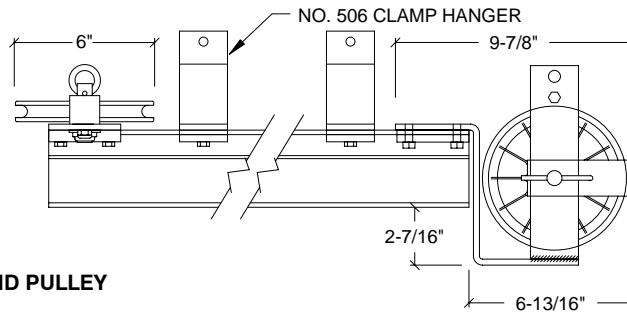
518 CABLE GUIDE



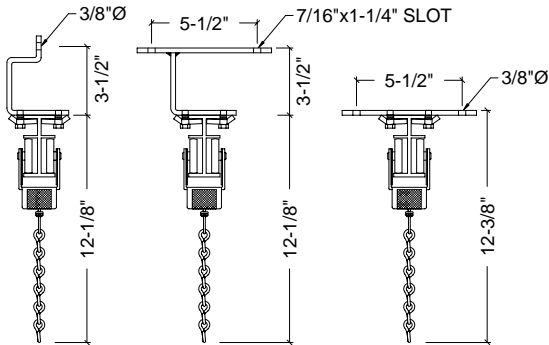
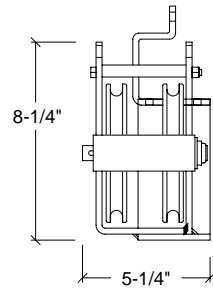
TRACKS AT CENTER OVERLAP



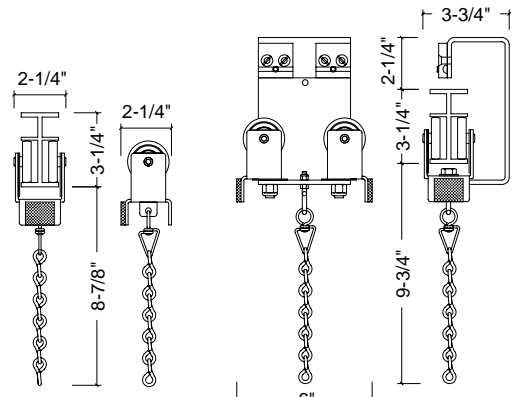
504 SINGLE END PULLEY



503 DOUBLE END PULLEY



506, 511 AND 531 TRACK HANGERS



501 SINGLE CARRIER AND 502 MASTER CARRIER